

Short handle kit for windows

Description

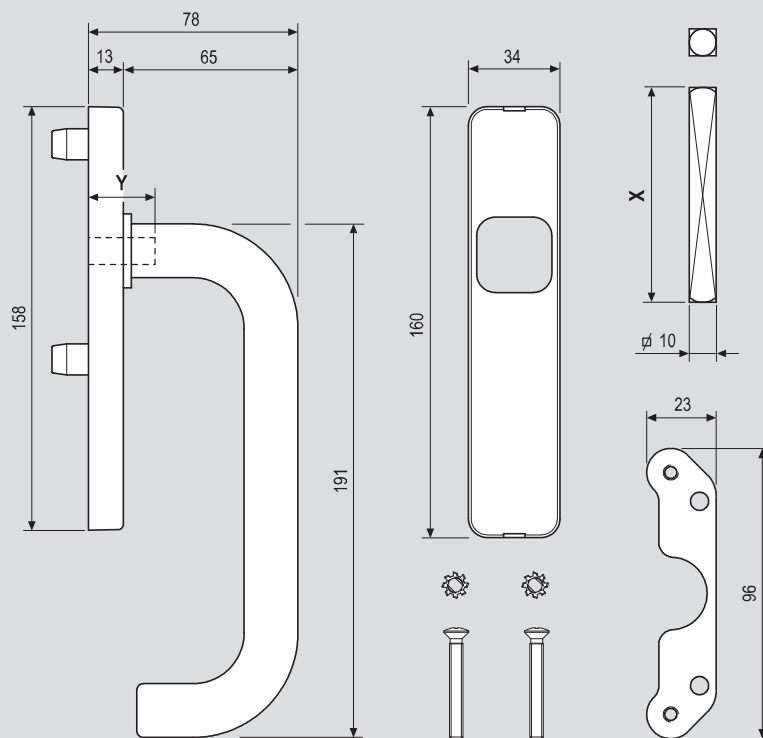
Brass or anodised aluminium handle with short lever.

Application

This handle is recommended for windows of limited height, where a long lever would look disproportioned. As no exterior pull is required, in order to contain costs, a fastening plate is included in the kit.

Mounting

Insert the fastening plate in the screw holes, operating from the inside of the lockcase housing cutout. Then fasten the handle to them using the two M5x36 screws provided in the kit.



Order specifications

Material			F1 Silver finish		F5 Electrocolour finish	
	X	Y	Article	Finish code	Article	Finish code
Aluminium	65	25	G00744.04.01	AF1	G00744.04.02	AF5

Polished varnished finish						
Material	X	Y	Article	Finish code		
Brass	80	40	G00745.04.10	OLV		