

Handle and exterior flush pull kit

Description

Brass or anodised aluminium handle with flush-mounted exterior pull, suitable for Lift & Slide door windows.

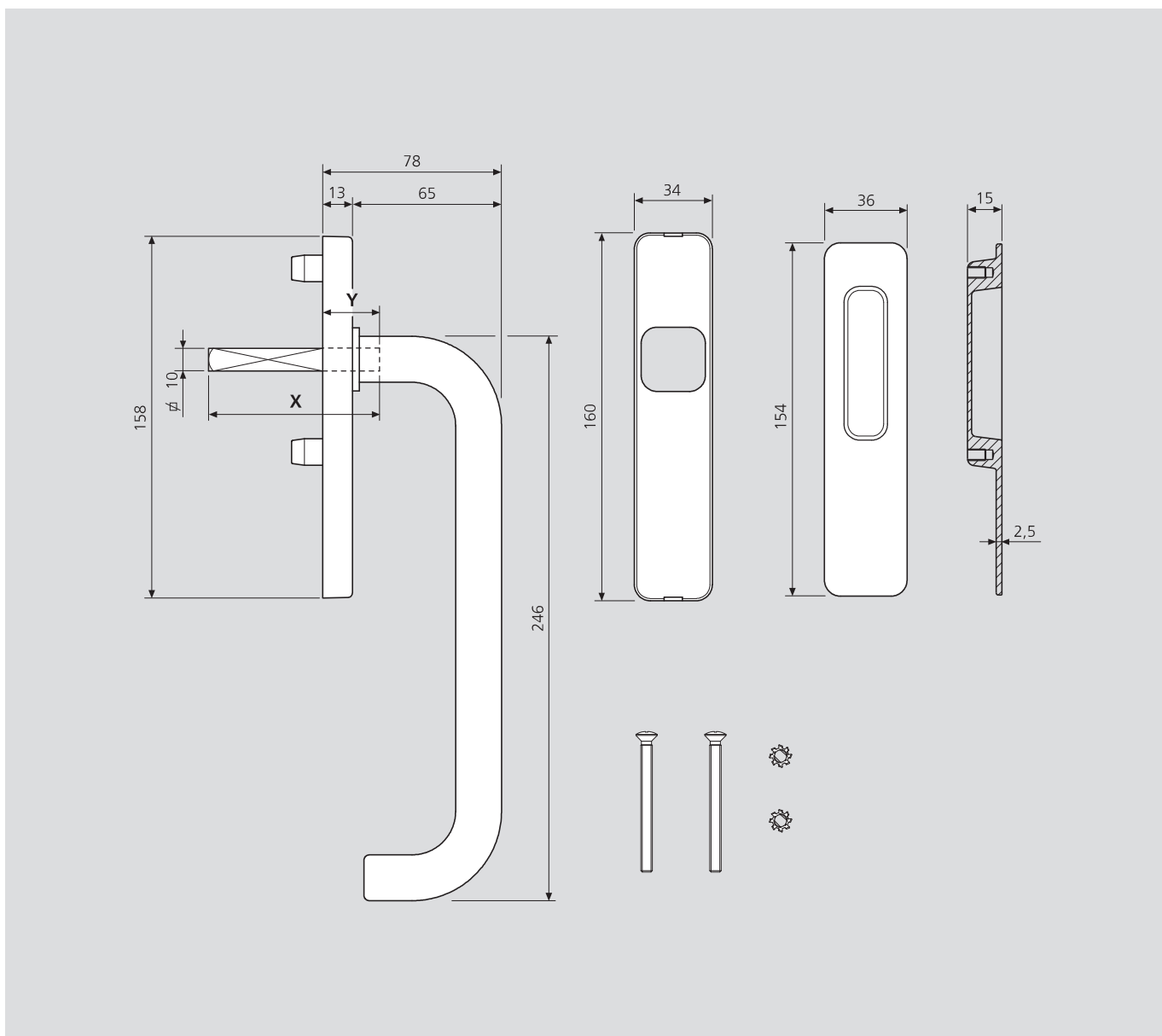
Application

This handle is particularly recommended for door windows because of its size and functionality, as the length of the lever makes it easier to lift the carriages. Since the exterior plate

operates only as a pull, opening and closing is controlled by the handle from the inside only.

Mounting

Cut the follower as needed and install the handle and pull plate, fastening them with the M5 screws provided in the kit.



Order specifications

Material	X	Y	F1 Silver finish		F5 Electrocolour finish	
			Article	Finish code	Article	Finish code
Aluminium	75	25	G00744.01.01	AF1	G00744.01.02	AF5
			Polished varnished finish		Anthracite finish	
Material	X	Y	Article	Finish code	Article	Finish code
Brass	90	40	G00745.01.10	OLV	G00745.01.07	OAN