

Exterior/interior handle kit

Description

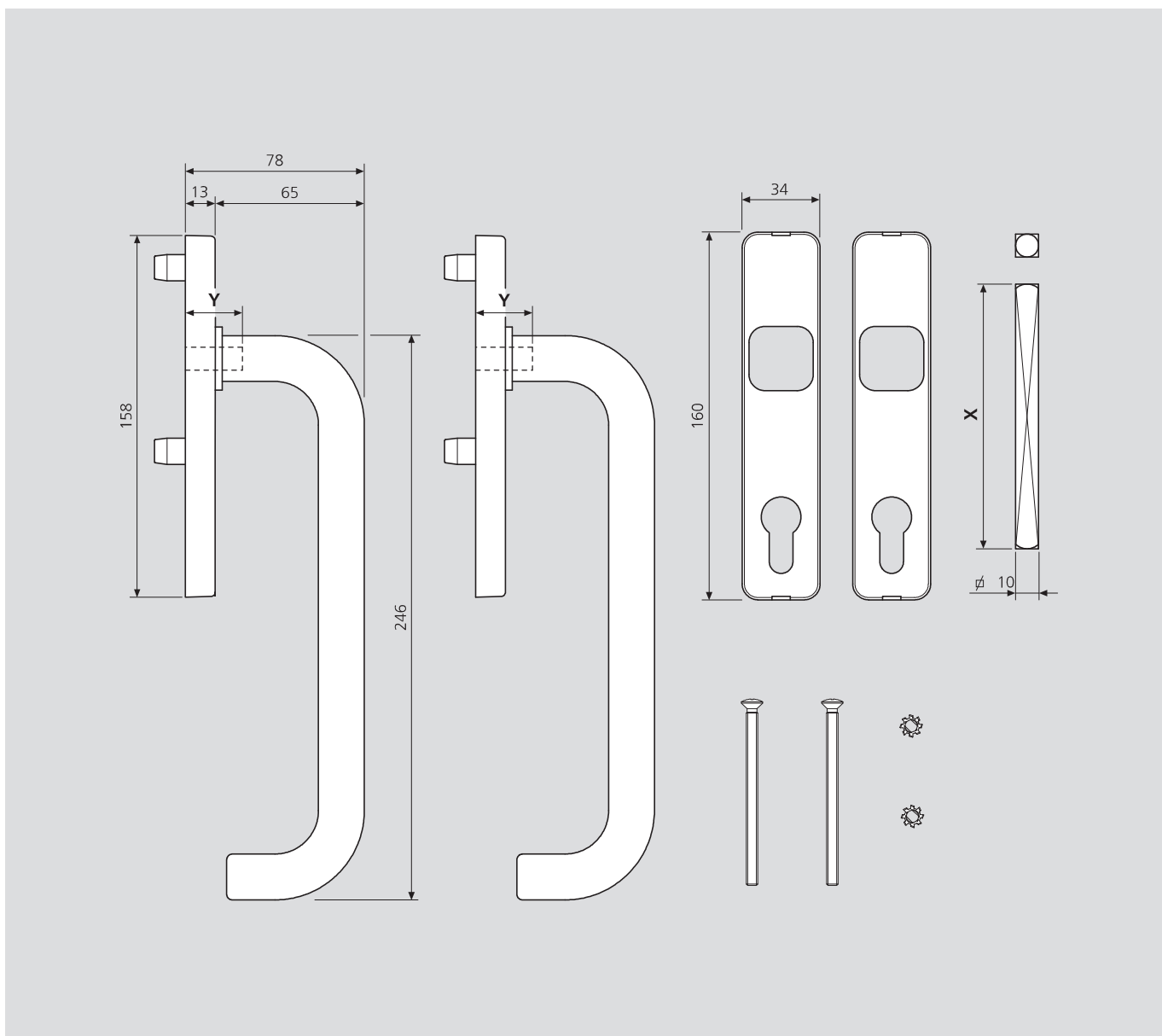
Brass or anodised aluminium handle with cylinder hole and exterior handle.

Application

This handle is recommended for sliding doors that need to be opened also from the outside.

Mounting

Cut the follower as needed and install the handle, fastening it with the M5 screws provided in the kit. Fasten the cylinder with an M5 screw 35 or 45 mm long depending on the lock backset.



Order specifications

Material	X	Y	F1 Silver finish		F5 Electrocolour finish	
			Article	Finish code	Article	Finish code
Aluminium	115	25	G00744.03.01	AF1	G00744.03.02	AF5
Material	X	Y	Polished varnished finish		Anthracite finish	
			Article	Finish code	Article	Finish code
Brass	130	40	G00745.03.10	OLV	G00745.03.07	OAN